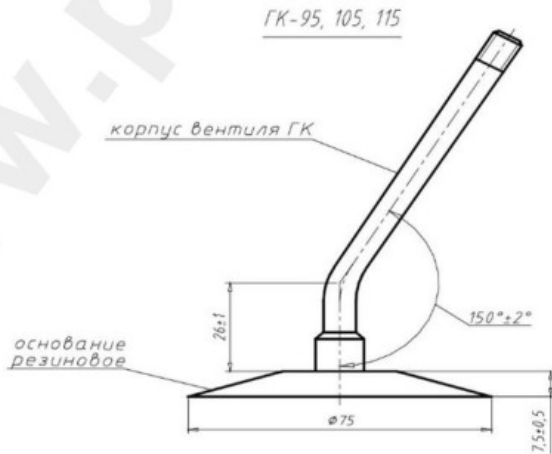


Tube 9.00-16 Rosava (agro)

КАМЕРА 9,00-16

СХЕМЫ ПРОФИЛЯ ОСНОВАНИЯ И ИЗГИБА ВЕНТИЛЯ



Category	Tubes
Size	9.00-16
Width	9
Section ratio	
Rim	16
Model	GK95, 105, 115
Analogue	

Delivery	1-5 w/d
Warranty	12 months
Description	

All technical information about products in our website protekta.lt is based on the information given by the manufacturers. This information serves only information purposes and it is not mandatory.